



THE ASSAM GAZETTE

অসাধাৰণ

EXTRAORDINARY

প্ৰাপ্ত কৰ্তৃত্বৰ দ্বাৰা প্ৰকাশিত

PUBLISHED BY THE AUTHORITY

নং 529 দিশপুৰ, সোমবাৰ, 5 নবেম্বৰ, 2018, 14 কাৰ্ত্তি, 1940 (শক)

No. 529 Dispur, Monday, 5th November, 2018, 14th Kartika, 1940 (S. E.)

GOVERNMENT OF ASSAM

ORDERS BY THE GOVERNOR

ASSAM STATE ELECTION COMMISSION

NOTIFICATION

The 1st November, 2018

No. SEC.24/2017/Pt-II/127.- In continuation of earlier notifications No. SEC. 24/2017/Pt-II/3 dated 25.10.2017 and SEC. 24/2017/Pt-II/38 dated 13.02.2018 of this Commission regarding list of symbols to be used during the ensuing Panchayat Election, 2018, the Assam State Election Commission hereby notify an additional list (number) of free symbols, as given below, in the interest of smooth conduct of the ensuing Panchayat Election.

1. List of additional list of free Symbols:

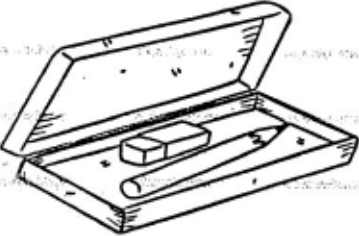


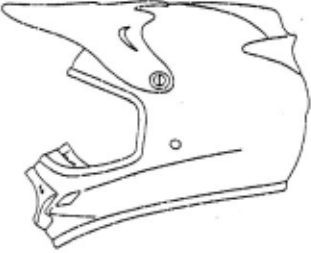


52) Pencil Box	53) Fountain
54) Safety Pin	55) Helmet
56) Auto-Rickshaw	57) Match Box
58) Spade	59) Belt
60) Bottle	61) Pillow


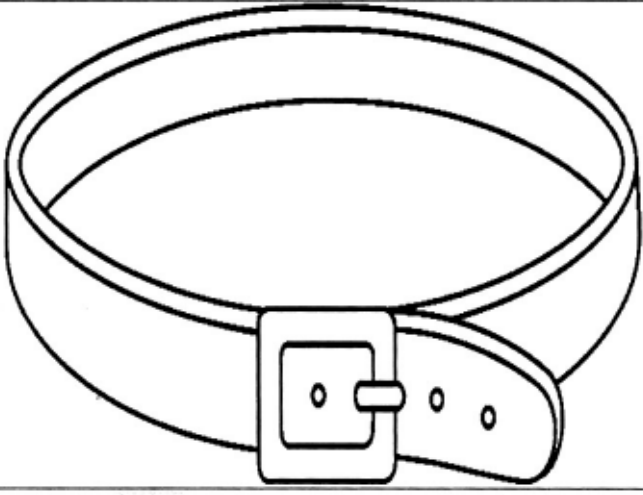
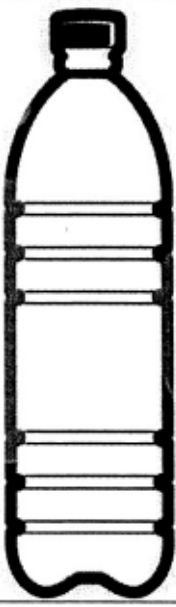
Specimen of the above noted symbols are enclosed in

Annexure -I.

H. N. BORA (Retd.),
State Election Commissioner, Assam,
Dispur, Guwahati-6.

Additional free symbols of Panchayat Election, 2018

52. Pencil Box	
53. Fountain	
54. Safety Pin	
55. Helmet	
56. Auto-Rikshaw	
57. Match Box	

58. Spade	
59. Belt	
60. Bottle	
61. Pillow	